

Papillon

SINGLE PLATE SWING CHECK VALVE



JAS-ANZ



ISO 9001 : 2015

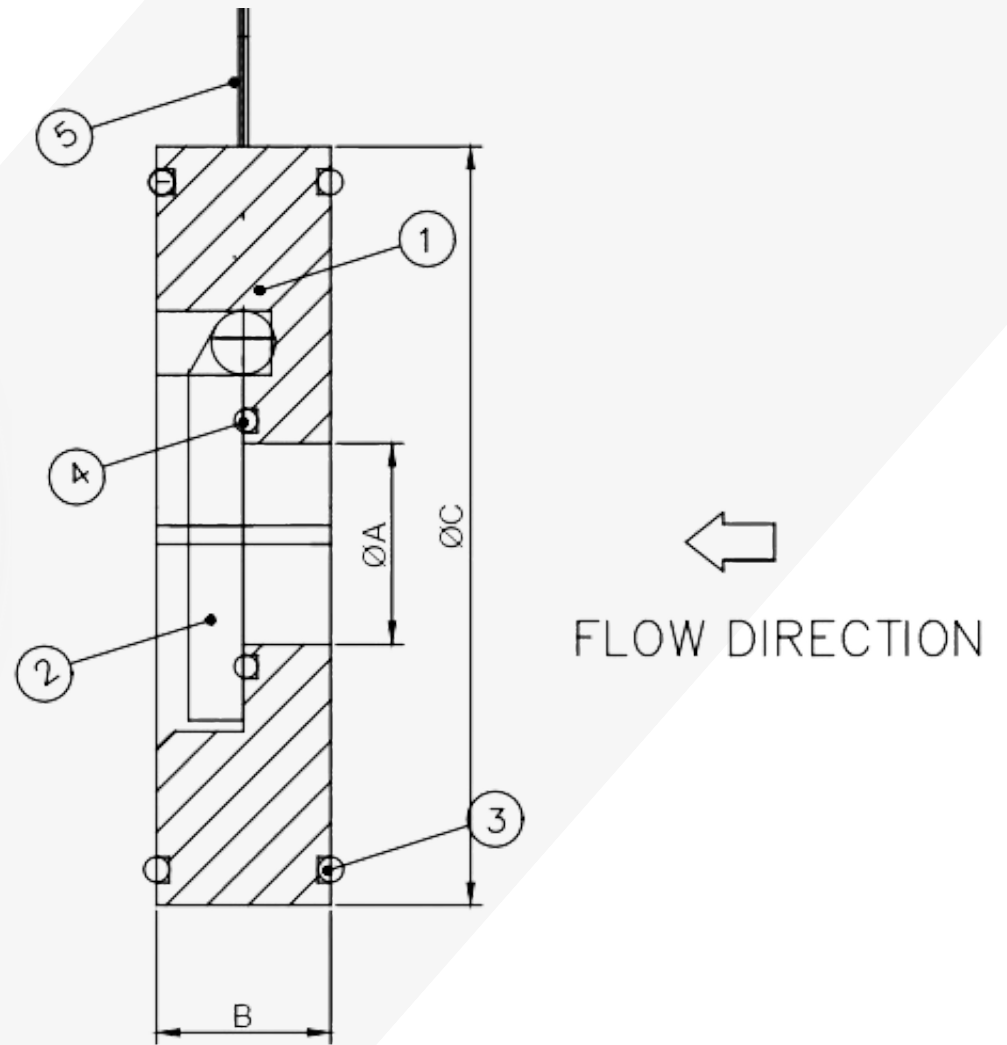
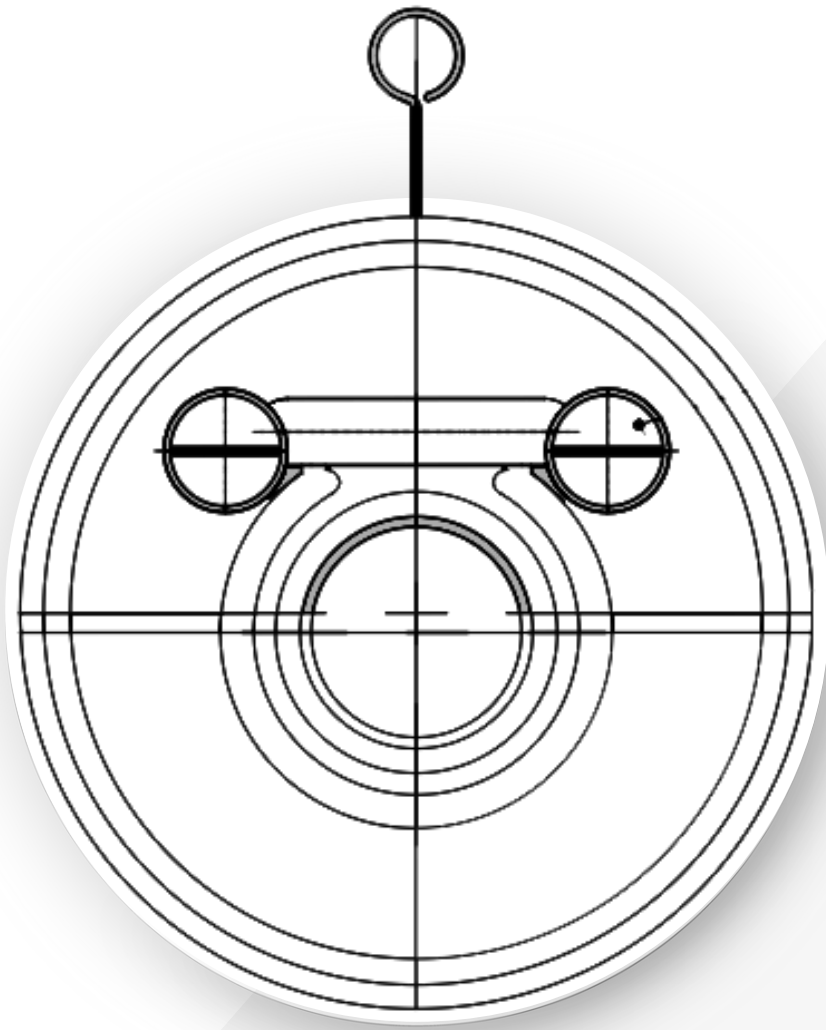
Quality Management System

Cert. No. 7946



Single Plate Swing Check Valve is primarily used in pipelines to prevent reverse flow of water and water hammer to the pumps from rising discharge line. Precisely machine body seat along with sealing O ring ensure leak proof shut off. Lightweight disc design ensures valve opening and closing at very low differential pressure.

Low weight and short face to face dimensions ensure easy and space saving installation between mating flanges. Separate Flange gaskets are not required since the valve comes with integral face sealing O ring



- Design and manufacturing standard- API 6D
- Testing Standard – API 598.
- Flange standard – To suit between flanges ASME # 150/ DINEN 1092 / BS10 TABLE D / E
- Size range- DN 40 To DN 600
- Operating temperature- -20 deg.C to 200 deg C
- Leakage class -100% tight shut off
- Pressure rating- PN 10 PN 16
- Body test- 1.5 x PN Seat seat test- 1.1 x PN

5	1	LIFTING BOLT
4	1	FLAP O-RING
3	2	FACE O-RING
2	1	DISC
1	1	MAIN BODY
I.NO	QTY	DESCRIPTION

MATERIAL OF CONSTRUCTION

Standard MOC

Body- SGI , Disc SGI, O ring – EPDM

Optional materials

Body / Disc- WCB/ CF8/CF8M/CF3M
Seat O ring- NITRILE/ VITON/ NEOPRENE

WAFER CHECK VALVE GENERAL OUTLINE DIMENSIONS

Pressure Rating - PN10/PN16

Valve Size	40	50	65	80	100	125	150	200	250	300	350	400	450	500	600
Dia.A	22	29.4	40	52	71	91	114	34	195	230	270	310	360	406	490
B	19	19	19	19	19	19	24	34	28.5	38	44.5	51	60.5	63.5	70
Dia.C	89	96	110	130	160	190	213	275	335	885	446	496	559	616	727

SALIENT FEATURES

- Extremely short face to face dimensions, hence space required for mounting is very less compared to conventional check valve.
- Very lightweight that enables easy installation
- Operates at very low differential pressure
- Fewer number of parts makes it practically maintenance free
- Designed to fit between any flange standard
- Saving in fasteners cost compared to conventional check valves

FIELDS OF APPLICATION



Water treatment plants
STP ETP plants



Sugar Industry



Chemical industry



Mining and power industry



Oil and Gas Industry

Manufactured by -

PAPILLON VALVES

WORKS : 64 / 5, VADGOAN BK,
SINHAGAD ROAD, BHIDE BAUG,
PUNE - 411041



Call Us -
020-24391989 /
09922855055



Email -
satishnikam2010@gmail.com