

Papillon

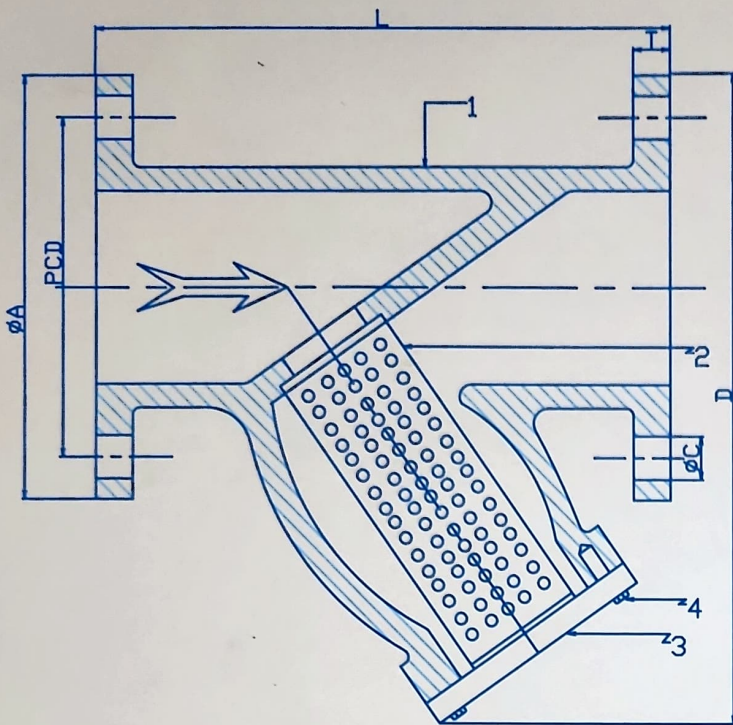
Y TYPE STRAINERS



Y type strainers are named after their typical shape. These strainers are used to remove solids from flowing fluids or gases by means of perforated sheet straining element. Often recommended to use where the solid % is less in quantity. The dirt or foreign particle holding capacity is less than compared to Basket Strainer. These strainers are very compact and can be used in horizontal or vertical lines. But care should be taken that the screening element is on the downside of the strainer body so that the entrapped solids can be properly collected.

SALIENT FEATURES:

- Advanced hydrodynamic flow path & large filtration area ensure low pressure drop.
- Effective cleaning of fluid avoids damage to downstream valves due to dirt.
- Can be installed in horizontal and vertical position.
- Easy cleaning and replacement of screening element.
- Compact size and low weights.



I.NO.	QTY	DESCRIPTION	STD M.O. CONST
1	1	BODY	CI 210 Gr.25 / SS
2	1	MESH	SS 304
3	1	COVER	CI 210 Gr.25 / SS
4	4/6	FASTENERS	C.S.

SIZE DIM	32MM	40MM	50MM	65MM	80MM	100MM	125MM	150MM	200MM
ØA	120	140	160	165	190	220	254	280	342
PCD	88	98.5	114	127	148	178	210	235	292
ØC	14	14	17.5	17.5	17.5	17.5	17.5	17.5	22.0
L	134	190	2.2	221	262	334	356	390	390
T	15	15	16	16	19	19	21	21	21
D	155	200	235	260	310	360	390	450	525

Dimensions subject to change.

DESIGN AND TESTING STANDARDS:

TYPE: FLANGED TYPE

FACE TO FACE DISTANCE:

MANUFACTURER'S STANDARD.

FLANGE DRILLING: AS PER BS10 TABLE D/E,
ANSI B 16.5, IS, DIN STANDARD.

SIZE RANGE: 32 MM TO 200MM

PRESSURE RATING: PN10/PN16

APPLICATIONS:

PAPILLON make Y strainers are used for filtration of liquids, air, gas, steam and other fluids.

It is extensively used in processing industries, power plant, HVAC, petroleum, chemical industries.

Manufactured By :

Papillon Valves

Works : 64 / 5, Vadgaon BK, Sinhagad Road,
Bhide Baug, Pune - 41.

Tel. : 020-24391989, 09922855055

Email : satishnikam2010@gmail.com

Web : papillonvalves.tradeindia.com

